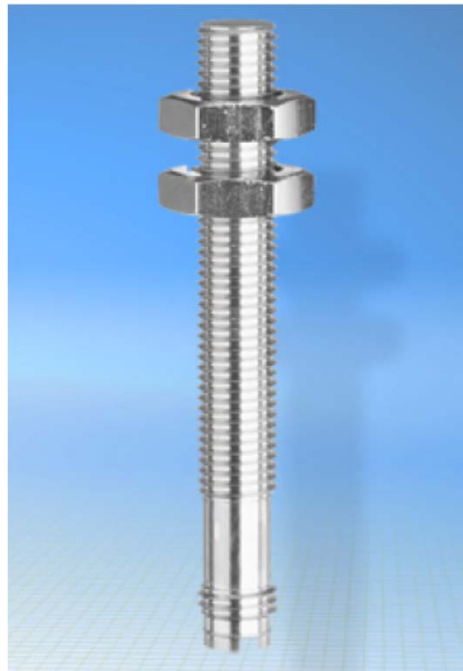
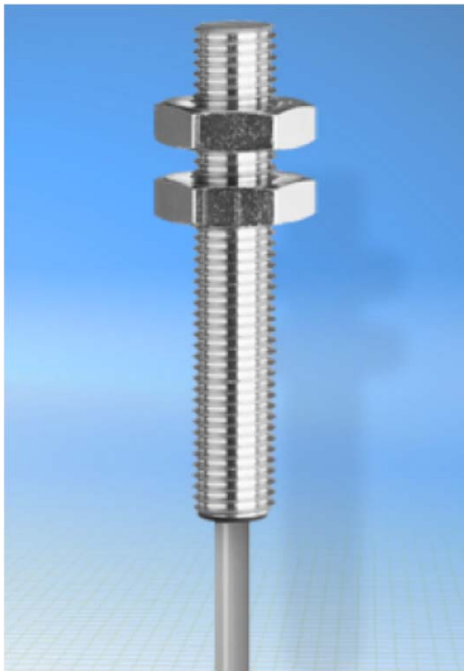


Inductive Distance Sensor

BDA-L M8 x 45



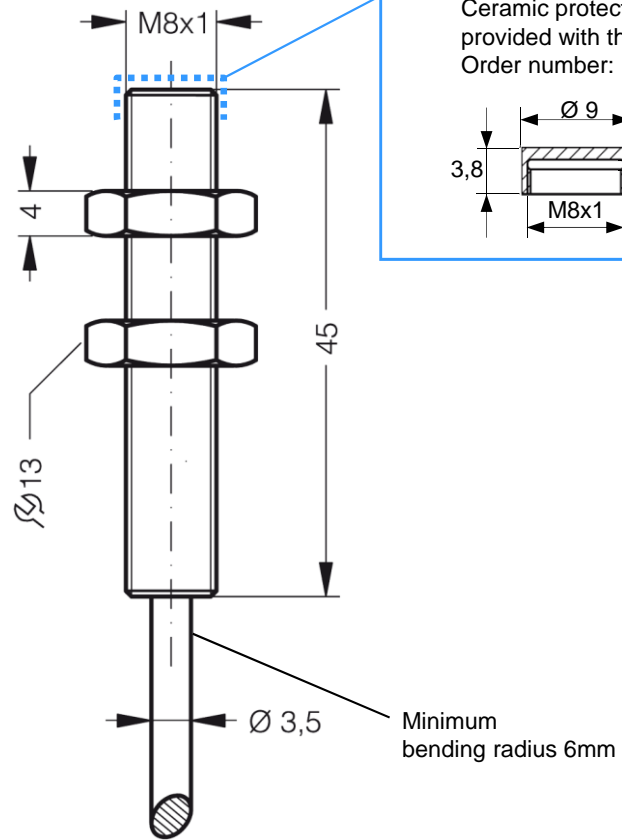
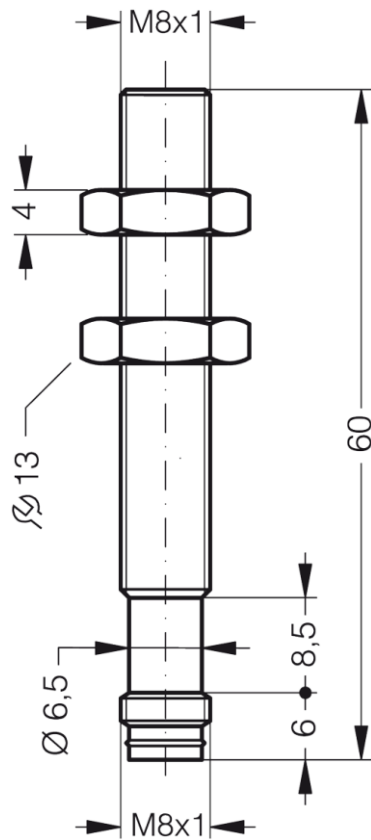
Technical details:

Measuring range:	0 – 4 mm
Measured value output:	0 – 10 V
Sensitivity:	2,5 mV/ μm (averaged)
Resolution:	0,12 μm (not smoothed) 0,08 μm (with smoothing time constant 30 ms)
Bandwidth:	1600 Hz (-3dB)
Operating voltage:	15 – 30 VDC <10 mA
Temperature range:	-25°C to +70°C
Protection class:	IP67
Line:	PUR 2 m or via plug-in connector 5 m
Casing:	Brass, nickel-plated

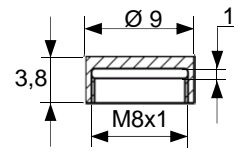
Function:

- Analogous voltage output
- Integrated amplifier
- Short circuit protection
- Highly flexible cable or metal plug

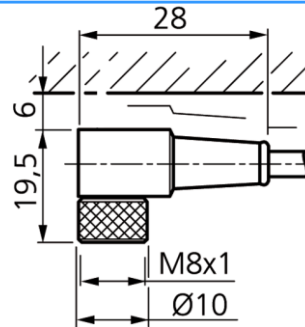
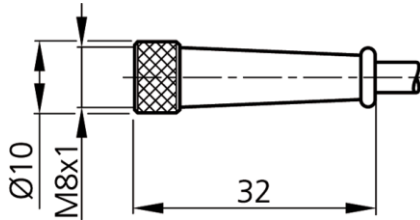
Sensor BDA-L:



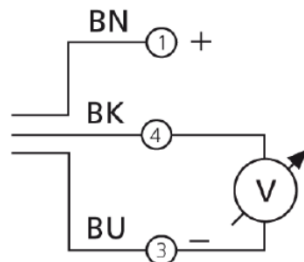
Option:
Ceramic protection cap
provided with thread
Order number: 8.1.K



Plug-in connector:

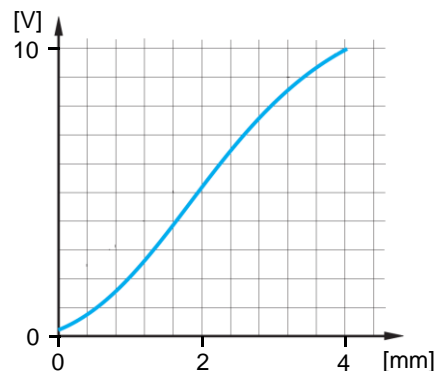


Port diagram:



BN = brown (+)
BK = black (signal output)
BU = blue (earth)

Characteristic curve:



Order number:

8.1.M8x50 **BDA-L M8x50**
8.1.K **Ceramic protection cap**

Measuring principle:

Eddy current distance measurement